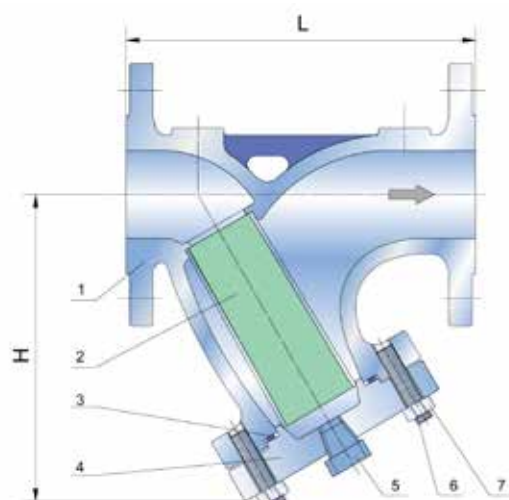


SPECIFICATION

MANUFACTURING STANDARDS

General Design	ASME/ANSI B16.34
Fire Safe Design	API 6FA
Face To Face	ASME/ANSI B16.10
Flange End	ASME/ANSI B16.5 & B16.47
Inspection & Test	API 598 / API 6D
Features	Perforated Screen, Drain Plug



STANDARD PARTS & MATERIAL

No.	Parts	Carbon Steel	Stainless Steel	
1	Body	A216 WCB	A351 CF8	A351 CF8M
2	Cover	A216 WCB	A351 CF8	A351 CF8M
3	Screen	SS304/SS316	SS304	SS316
4	Gasket	Graphite		
5	Plug	A105	SS304	SS316
6	Cover Bolt	A193 B7	A193 B8	A193 B8M
7	Cover Nut	A194 2H	A194 8	A194 8M

Other valve material composition are available.

CLASS 150 ASME B16.34	Size (In)	L	H	Plug Size (In)	Wt. (Kg)
	2	200 (7.87)	133 (5.23)	0.50	8
	2.1/2	248 (9.76)	165 (6.50)	1.00	13
	3	256 (10.08)	178 (7.01)	1.00	15
	4	308 (12.13)	210 (8.27)	1.50	25
	5	397 (15.63)	286 (11.26)	2.00	40
	6	470 (18.50)	343 (13.50)	2.00	69
	8	543 (21.37)	394 (15.51)	2.00	100
	10	660 (25.98)	470 (18.50)	2.00	145
	12	759 (29.88)	565 (22.24)	2.00	250
	14	914 (35.98)	635 (25.00)	2.00	442
16	1056 (41.57)	673 (26.50)	2.00	741	

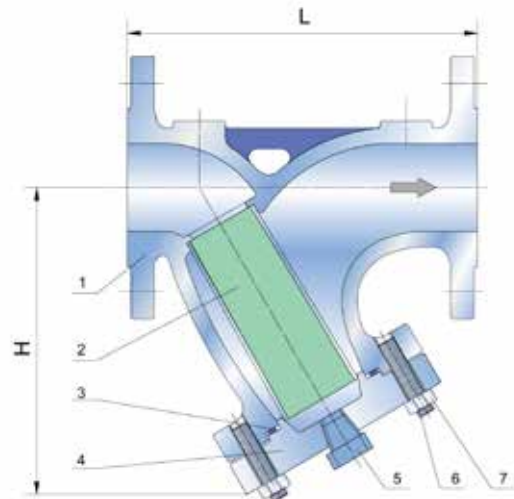
Standard Fig. No. 9A1C1

Unit : mm (inch)

SPECIFICATION

MANUFACTURING STANDARDS

General Design	ASME/ANSI B16.34
Fire Safe Design	API 6FA
Face To Face	ASME/ANSI B16.10
Flange End	ASME/ANSI B16.5 & B16.47
Inspection & Test	API 598 / API 6D
Features	Perforated Screen, Drain Plug



CLASS 300 ASME B16.34	Size (In)	L	H	Plug Size (In)	Wt. (Kg)
	2	219 (8.62)	133 (5.24)	0.50	10
	2.1/2	269 (10.59)	165 (6.50)	1.00	14
	3	305 (12.00)	178 (7.00)	1.00	22
	4	368 (14.49)	210 (8.27)	1.50	40
	5	491 (19.33)	343 (13.50)	2.00	79
	6	491 (19.33)	343 (13.50)	2.00	79
	8	594 (23.39)	400 (15.75)	2.00	136
	10	695 (27.36)	470 (18.50)	2.00	200
	12	813 (32.00)	565 (22.24)	2.00	295
	14	914 (35.98)	635 (25.00)	2.00	619
16	1056 (41.57)	673 (26.50)	2.00	878	

Standard Fig. No. 9A1C3

CLASS 600 ASME B16.34	Size (In)	L	H	Plug Size (In)	Wt. (Kg)
	2	279 (10.98)	178 (7.00)	0.50	18
	2.1/2	305 (12.00)	210 (8.27)	1.00	27
	3	343 (13.50)	235 (9.25)	1.25	35
	4	456 (17.95)	318 (12.52)	1.50	73
	5	565 (22.24)	381 (15.00)	2.00	115
	6	651 (25.63)	508 (20.00)	2.00	165
	8	806 (31.73)	610 (24.02)	2.00	304
	10	957 (37.67)	724 (28.50)	2.00	495
	12	1156 (45.51)	876 (34.49)	2.00	708

Standard Fig. No. 9A1C6

Unit : mm (inch)